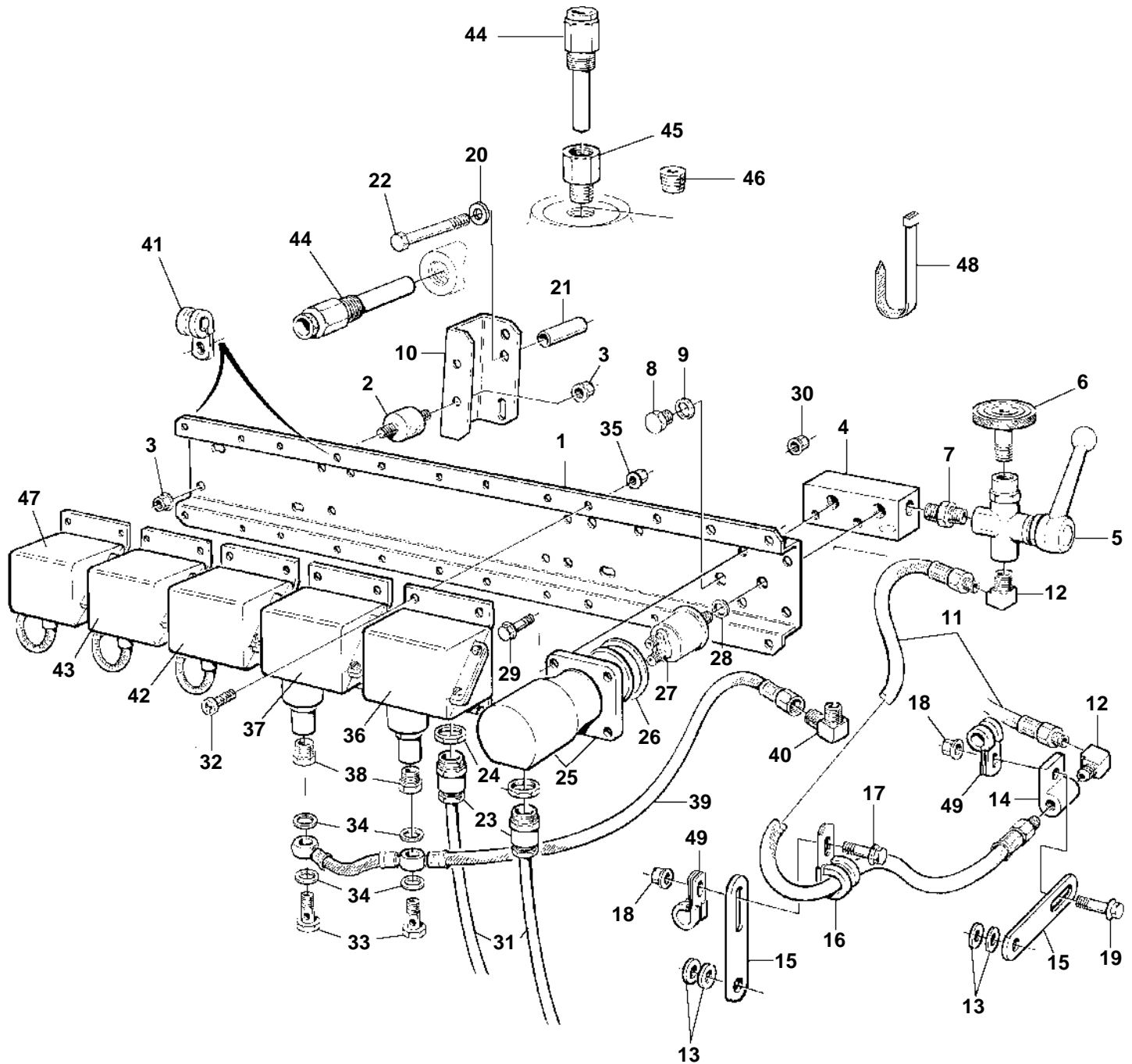


TAMD71B AUX



17132

TAMD71B AUX

REF	PART NO.	QTY	DESCRIPTION	SEE SEC.	NOTES
1		1	Bracket		
2	863415	4	Rubber cushion		
3	948645	8	Lock nut		
4	866704	1	Bracket		
5	3826337	1	Valve		
6	3826310	1	Flange		
7	191095	1	Nipple		
8	479979	1	Plug		
9	18665	1	Gasket		
10	3826000	2	Bracket		
11	3826006	2	Hose		
12	957106	2	Elbow nipple		
13	960144	4	Washer		
14	813006	1	Pipe connection		
15	965539	2	Bracket		
16	952627	1	Clamp		
17	946544	1	Flange screw		
18	949278	2	Lock nut		
19	946934	1	Flange screw		
20	955899	4	Washer		
21	845884	4	Spacer sleeve		
22	970964	4	Screw		
23	881191	6	Cable union		
24	880244	1	Nut		
25	849670	1	Protecting casing		
26	843584	1	Sealing ring		
27		1	Pressure sensoroil-engine		SEE GROUP 30
28		1	Gasket		SEE GROUP 30
29	945444	4	Flange screw		
30	963106	4	Nut		
31	862989	X	Cable		2x1,5sq.mm. Non reinforced ship cable approved by classification societies.
32	956093	20	Screw		
33	48634	2	Hollow screw		
34	907132	4	Gasket		
35	949278	20	Lock nut		
36	873713	1	Pressure monitor, engine oil alarm		2,0 bar
37	873713	1	Pressure monitor, engine oil auto stop		1,5 bar
38	3826034	2	Nipple		
39	3826001	1	Hose		
40	957106	1	Elbow nipple		
41	952627	2	Clamp		
42	873714	1	Thermo monitor, coolant alarm		92°C
43	873714	1	Thermo monitor, coolant auto stop		98°C
44	873715	3	Sleeve		
45	981426	1	Nipple		
46		1	Plug	3508	
47	873714	1	Thermo monitor, engine oil alarm		125°C
48	862832	X	Strip clamp		
	948211	X	Strip clamp		
49	949746	2	Clamp		